

# USC-160

## 15.6" ARM Based Android All-in-One Computer



### Features

- Equipped with DeviceOn/iService software for remote device management
- 15.6" TFT display with LED backlight
- Flat bezel-less panel with PCAP touch
- Reserved side hatch for optional peripherals
- Embedded RFID/NFC reader, Barcode scanner and camera (optional)
- Supports VESA (75 x 75 mm) and wall mounting
- IP65-rated front panel
- Supports Power over Ethernet
- 12 ~ 36V wide input range

### DeviceOn/iService Specifications

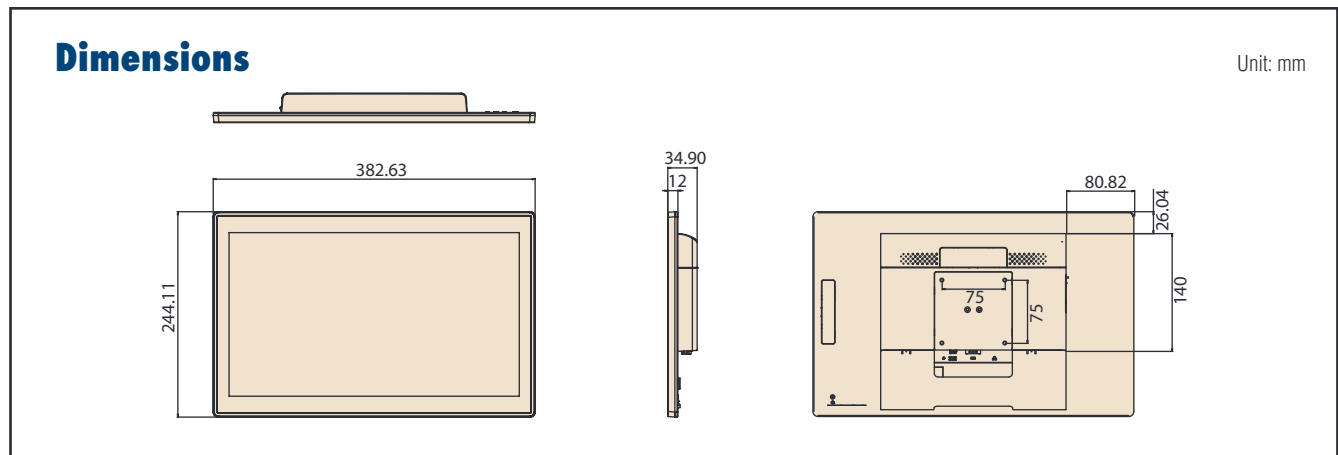


|                           |                           | USC-160AP-BX1XX   | USC-160AP-BX2XX   |
|---------------------------|---------------------------|---|---|
| System                    | CPU                       | Rockchip RK3288 quad-core Cortex™-A17 (up to 1.8 GHz)   | Rockchip RK3399 dual-core Cortex™-A72 (up to 1.8 GHz)/quad-core Cortex™-A53 (up to 1.4 GHz) |
| Graphics                  | GPU                       | Mali-T764   | Mali-T860   |
| Memory                    | Capacity                  | 2 GB onboard (4 GB optional)  |   |
|                           | Flash                     | 16 GB onboard eMMC (32 GB optional)   |   |
|                           | Extension                 | Micro SD  |   |
| Display                   | Display Size              | 15.6" widescreen (16:9) TFT color LCD   |   |
|                           | Touchscreen               | Projected capacitive touch panel (PCAP flat glass)  |   |
|                           | Max. Resolution           | HD: 1366 x 768<br>FHD: 1920 x 1080  |   |
|                           | Viewing Angle             | HD: Horizontal: ± 45°; Vertical: 20° and 40°<br>FHD: Horizontal: ±85° or 170° total; Vertical: ±85° or 170° total |   |
|                           | Luminance                 | HD: 250 cd/m <sup>2</sup><br>FHD: 400 cd/m <sup>2</sup>   |   |
|                           | Contrast Ratio            | HD: 500:1<br>FHD: 1000:1  |   |
| I/O                       | HDMI                      | 1   |   |
|                           | LAN                       | 1 x 10/100/1000 Mbps (supports PoE)   |   |
|                           | Serial Port               | 1 x (RS-232/485 via jumper), up to 2 (1 x for RS-232 only)  |   |
|                           | USB Port                  | 2 x USB 2.0 (up to 4)   | 2 x USB 3.0 (up to 4: 2 x USB 2.0 and 2 x USB 3.0)  |
|                           | Audio Out                 | 1   |   |
|                           | Mic In                    | 1   |   |
|                           | DC Input                  | 1 x Power jack (12 ~ 36V)   |   |
|                           | Micro SD                  | 1   |   |
|                           | SIM Card                  | 1   |   |
| Other                     | Speaker                   | 2W  |   |
|                           | Mount Options             | VESA mount 75 x 75 mm (2.95 x 2.95 in)  |   |
|                           | Hatch                     | Right/bottom hatch auxiliary mounting for optional modules  |   |
|                           | Adapter                   | 12V/36W   |   |
| Optional Peripherals      | RFID/NFC (Embedded)       | 1443A/B, 15693, Filcon  |   |
|                           | Barcode Scanner(Embedded) | 1D/2D Code reorganization   |   |
|                           | Camera (Embedded)         | 2MP camera module without LED   |   |
|                           | Wi-Fi/Bluetooth           | Wi-Fi: 802.11ac/a/b/g/n<br>BT: 4.2<br>Wi-Fi/BT combo module   |   |
| IP Rating                 | Front Panel               | IP65  |   |
| Environmental             | Operating Temperature     | 0 ~ 40 °C/32 ~ 104 °F   |   |
|                           | Humidity                  | 10 ~ 95% @ 40 °C/104 °F (non-condensing)  |   |
| Mechanical Specifications | Color                     | Black or white  |   |
|                           | Dimensions (W x D x H)    | 382.63 x 244.11 x 34.9 mm/15.06 x 9.6 x 1.37 In   |   |
|                           | Weight                    | 3.5 kg /7.7 lb  |   |
| Certifications            | EMI/Safety                | FCC, CE, CCC, BSMI, VCCI, UL, CB  |   |
| Operating System          |                           | Android 8.1, Android 10, Linux  | Android 8.1, Android 10, Android 12, Linux  |

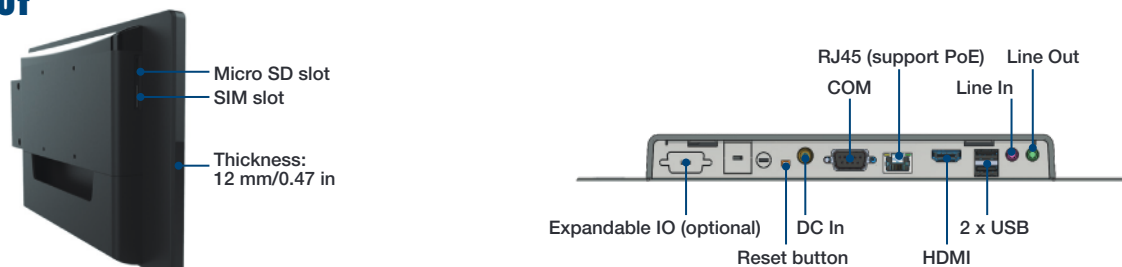
## Specifications Cont.

|   |   |                   |
|---|---|-------------------|
| DeviceOn/iService<br>Remote Device Management | Operating System                            | Android 8, 10, 12 |
|   | Common Controls (Reboot, Shutdown)          | ✓                 |
|   | Remote desktop                              | ✓ (VNC)           |
|   | Device-Specific Controls (Audio, Backlight) | ✓                 |
|   | Connection Status                           | ✓                 |
|   | Hardware Status                             | ✓                 |
|   | Batch Operation Support                     | ✓                 |
|   | OTA Storage Management                      | Local blob        |
|   | OTA Software Updates                        | ✓                 |
|   | Software Watchlist                          | ✓                 |
|   | Software Start/Stop                         | ✓                 |
|   | Kiosk Mode                                  | ✓                 |
| Peripherals Watchlist                         | ✓   |                   |

Note: DeviceOn/iService software must be downloaded from the Advantech website at <https://www.advantech.com/search/?q=DeviceOn%2FiService&st=support&sst=Utility>



## I/O Layout



## Ordering Information

### For Worldwide Model

| PN              | Description   |
|-----------------|---|
| USC-160AP-BC106 | 15.6" 16:9 RK3288 2G ram/16G eMMC, HD, Android10, PoE, no wifi  |
| USC-160AP-BC116 | 15.6" 16:9 RK3288 2G ram/16G eMMC, FHD, Android10, PoE, no wifi |
| USC-160AP-BC216 | 15.6" 16:9 RK3399 2G ram/16G eMMC, FHD, Android10, PoE, no wifi |
| USC-160BP-BD011 | 15.6" 16:9 RK3399 2G ram/16G eMMC, FHD, Android12, PoE, no wifi |

### For EU Only Model

| PN              | Description   |
|-----------------|---|
| USC-160AP-BC111 | 15.6" 16:9 RK3288 2G ram/16G eMMC, FHD, Android 10, WIFI, PoE |

## Peripheral

| Part Number        | Description   |
|--------------------|---|
| USC-P03-B200       | MSR via USB for USC-MX/1XX  |
| UPOS-P07-A100      | UTC VESA stand (75x75), double hinge, black, for horizontal installations |
| USC-A-STAND-1      | Avalo stand for primary display, black                                    |
| USC-A-STAND-2      | Avalo tube for secondary display, black                                   |
| USC-P05-B110       | 2D barcode scanner  |
| ARES-12240-AR01100 | Wall Mount, support 2~10kg, 75/100mm                                      |
| ARES-12250-L101000 | Wall Mount, max. support 25kg, 75/100mm                                   |

## Accessories

|             | Part Number        | Description  |
|-------------|--------------------|--|
| Power Cable | 96CB-POWER-B-1.8MB | RWD.75, C.CC, black/3L, 180 cm                           |
|             | 1700001524         | Power cable 3P, UL, 10A, 125V, 180 cm (US, TW)           |
|             | 170203183C         | Power cable 3P, 10A, 250V, 183 cm (EU)                   |
|             | 1700018553         | Power cable 3P, SAA, 2.5A, 250V, 183 cm (Australia)      |
|             | 1700025113-11      | Power cable, ISI, 3P, 2.5A, 250V, 180 cm (India)         |
|             | 1700018409         | Power cable, KCC, 2P, 2.5A, 250V, 183 cm (Korea, Russia) |
|             | 170203180A         | Power cable, BSI, 3P, 2.5A, 250V, 183 cm (UK)            |
|             | 1700008921         | Power cable, PSE, 3P, 7A, 125V, 180 cm (Japan)           |

# DeviceOn/iService

## Unified Remote Device Management Software



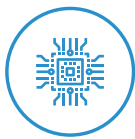
### Features

- Supports Advantech devices equipped with Windows, Android, and Linux OS
- Flexible device, location, user, and permissions management
- Enables remote monitoring and control of hardware, software, and peripherals
- Supports over-the-air (OTA) firmware and software updates
- Ensures quick, easy, and secure device onboarding
- RESTful APIs for third-party system integration

### Introduction

Advantech's DeviceOn/iService is a next-generation unified device management solution based on the WISE-DeviceOn platform. Designed to enable centralized monitoring and remote management, DeviceOn/iService supports Advantech devices equipped with Windows, Linux, or Android operating systems. The software also supports the management of applications and integrated peripherals, such as a barcode scanner, card reader, camera, and printer. Users can remotely access and control connected devices, take screenshots, rollout OTA upgrades, and use remote desktop capabilities for troubleshooting from any location at any time. Moreover, DeviceOn/iService supports batch operations to facilitate the management of multiple devices simultaneously for easy and convenient device configuration and deployment.

### Total Management



#### Devices & Hardware

- Windows, Linux, Android
- Hardware, storage, battery



#### Software & Peripherals

- Software monitoring & access
- Screens, USB devices, printers



#### Open for Expansion

- Peripheral integration
- Open APIs for integration

### Remote Access



#### Real-Time Monitoring

- Connection/hardware status
- Software/peripheral status
- Failure notifications



#### Remote Controls

- Power controls
- Audio, backlight controls
- Software controls



#### Troubleshooting

- Screenshots
- Remote desktop support

### Operational Efficiency



#### OTA updates

- System/software updates
- File repository management
- App store



#### Batch Controls

- 1-to-many batch reboot, etc.
- Time-saving tasks



#### Setup Booster

- Software/peripheral watchlist
- Roles, rule templates

Note: Some functions may vary according to the product

### System Architecture

